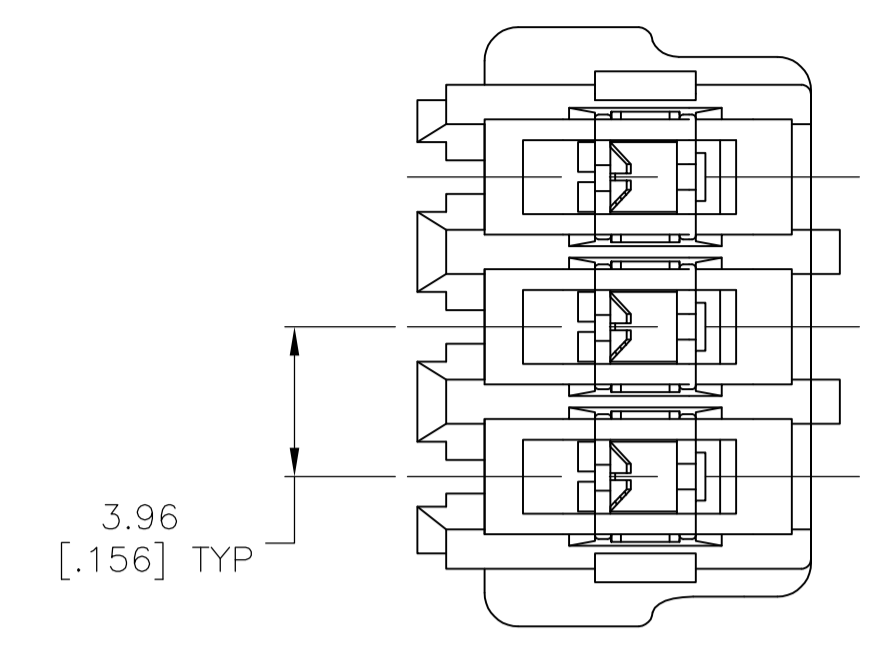
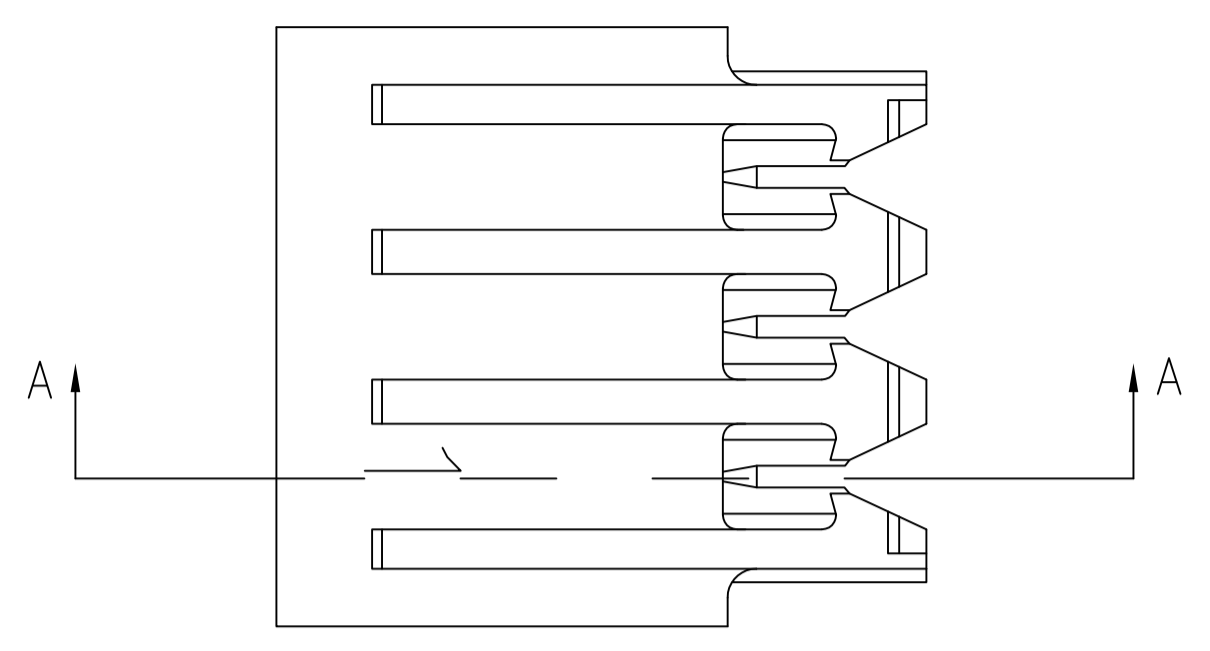
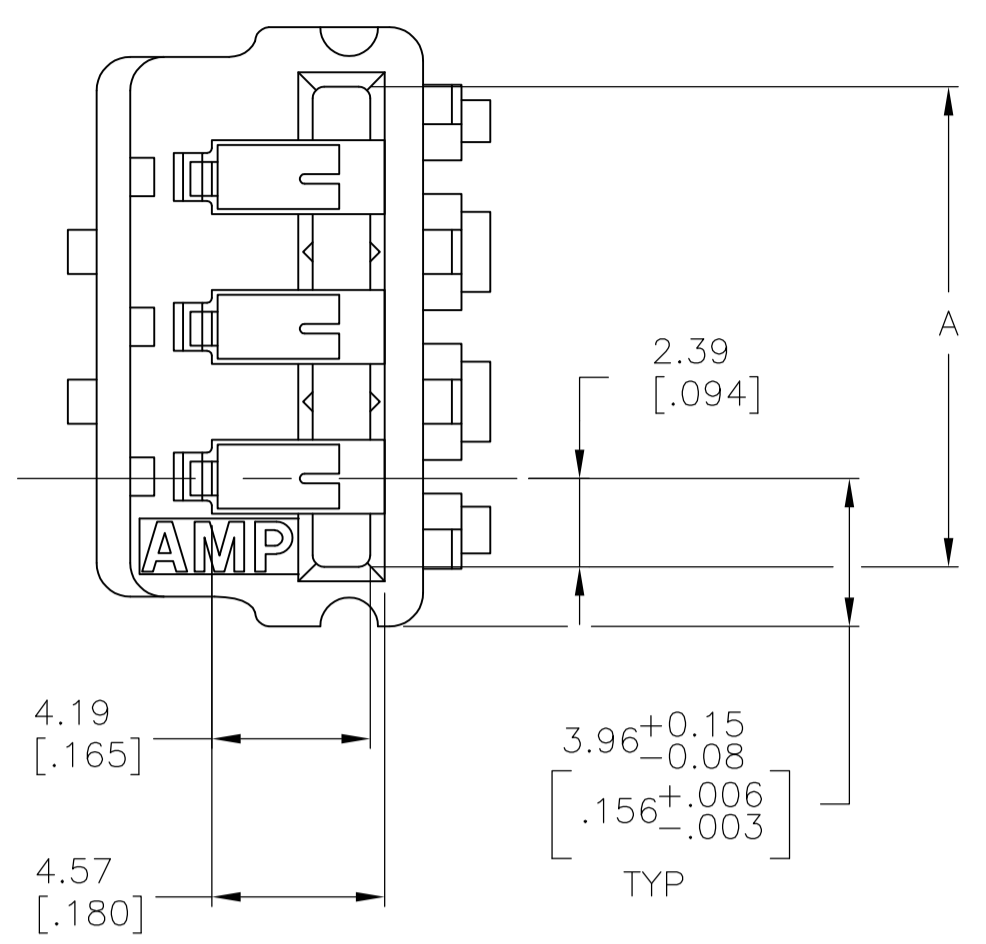
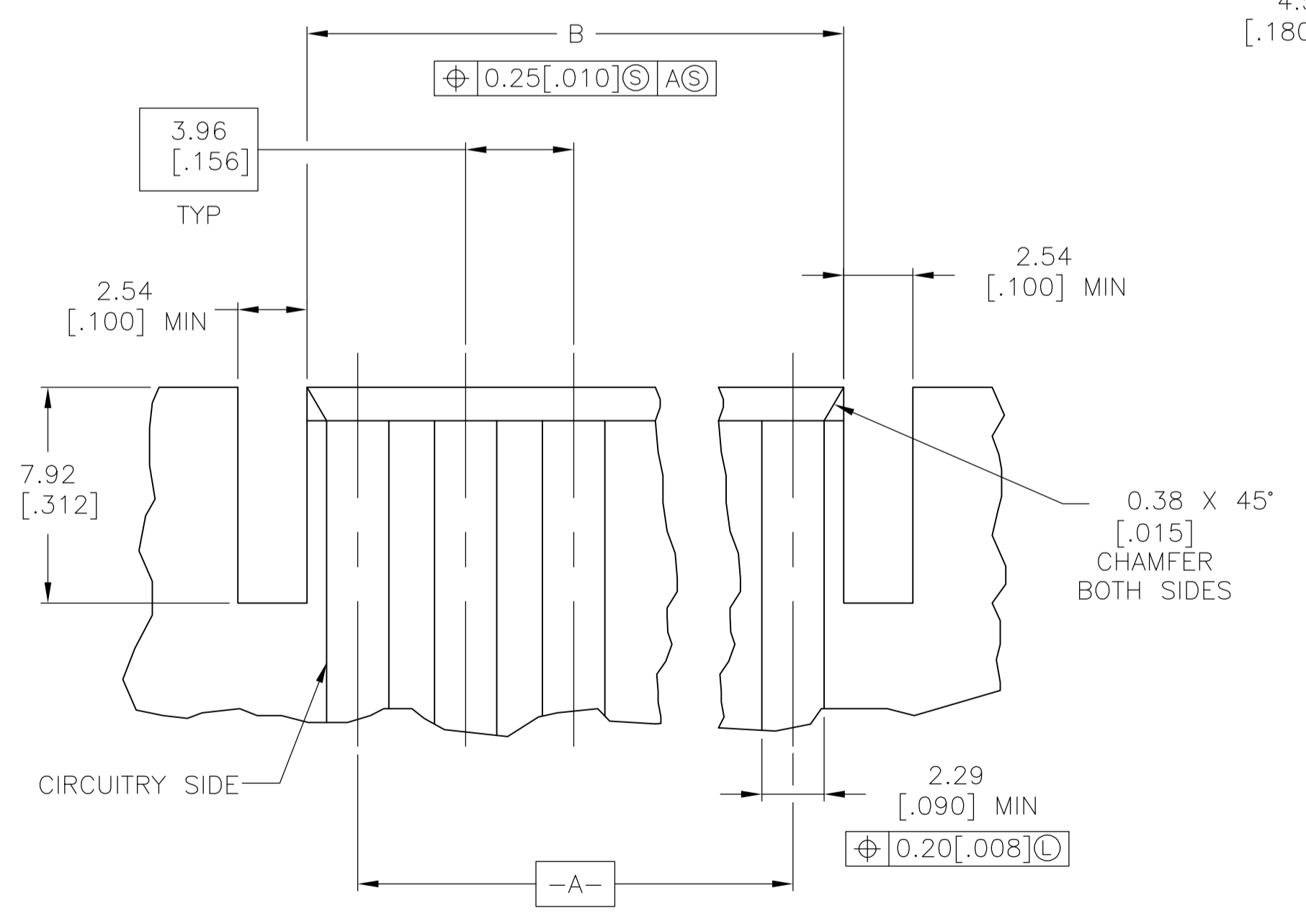
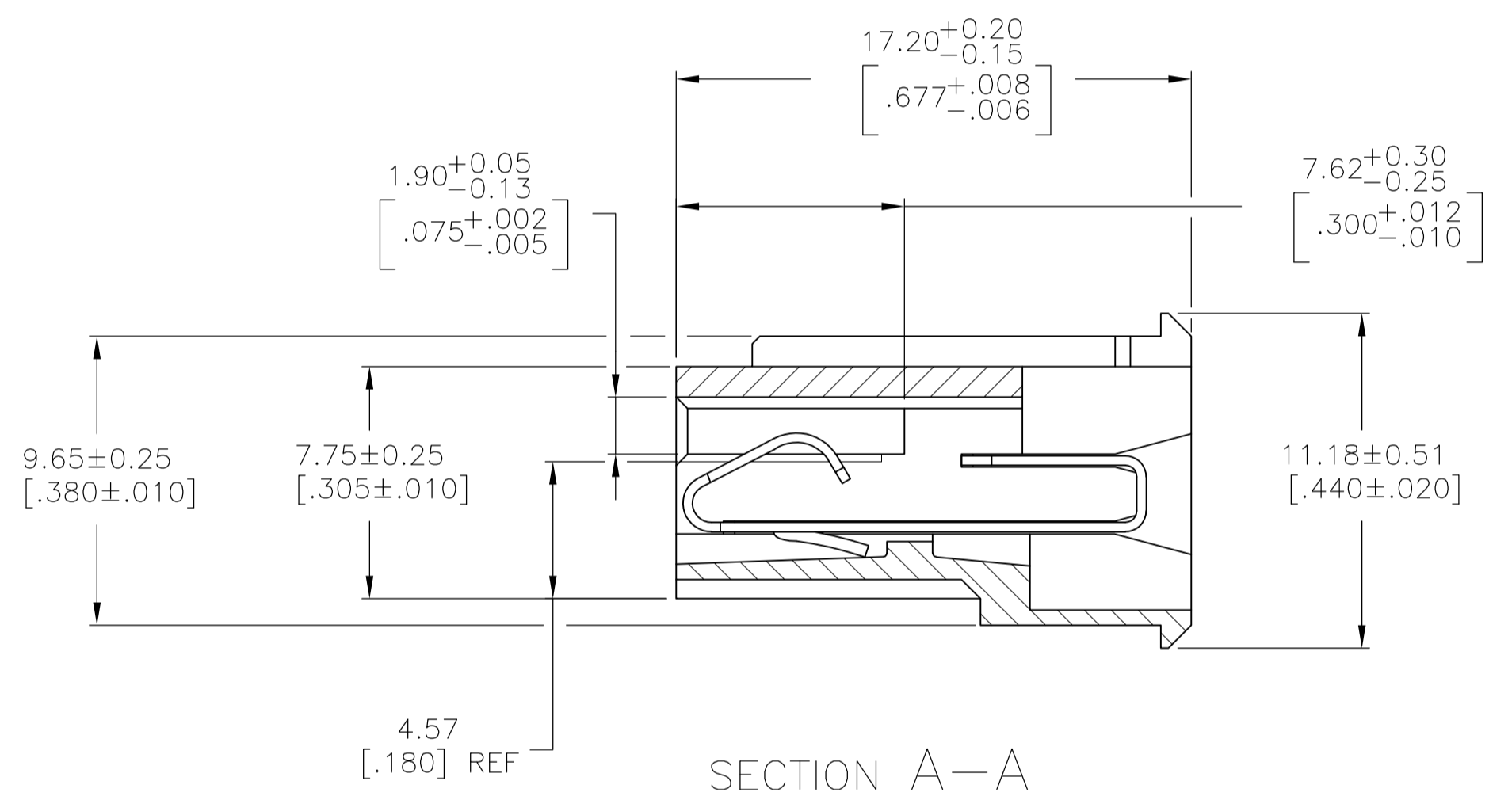


LOC		DIST		REVISIONS			
P	LTR	DESCRIPTION	DATE	DWN	APVD		
R		ECO-07-012898	27JUN07	KW	DB		



- MATERIAL:  
CONNECTOR: POLYESTER UL94V-0 (YELLOW).  
CONTACTS: 0.30[.012] THK COPPER ALLOY.
  - CONTACT ACCEPT #20 AWG WIRE WITH 2.41[.095] MAXIMUM INSULATION DIAMETER.
  - CONNECTOR MATES WITH 1.57±0.20[.062±.008] THICK PC BOARD.
  - HOUSING FEATURES: FEED-THRU, STANDARD MOUTH WITHOUT MOUNTING EARS.
- △5 CONTACT FINISH: BRIGHT TIN-LEAD 0.00203[.000080] MIN THK.  
 △6 CONTACT FINISH: MATTE WHISKER MITIGATED TIN 0.00203[.000080] MIN THICKNESS OVER NICKEL UNDERPLATE.



RECOMMENDED P.C. BOARD LAYOUT

△6	95.50 [3.760]	95.91 [3.776]	24	5-641284-4
	91.54 [3.604]	91.95 [3.620]	23	5-641284-3
	87.58 [3.448]	87.99 [3.464]	22	5-641284-2
	83.62 [3.292]	84.02 [3.308]	21	5-641284-1
	79.65 [3.136]	80.06 [3.152]	20	5-641284-0
	71.73 [2.824]	72.14 [2.840]	18	4-641284-8
	59.84 [2.356]	60.25 [2.372]	15	4-641284-5
	47.96 [1.888]	48.36 [1.904]	12	4-641284-2
	36.07 [1.420]	36.47 [1.436]	9	3-641284-9
	24.18 [.952]	24.59 [.968]	6	3-641284-6
12.29 [.484]	12.70 [.500]	3	3-641284-3	
△5	95.50 [3.760]	95.91 [3.776]	24	2-641284-4
	91.54 [3.604]	91.95 [3.620]	23	2-641284-3
	87.58 [3.448]	87.99 [3.464]	22	2-641284-2
	83.62 [3.292]	84.02 [3.308]	21	2-641284-1
	79.65 [3.136]	80.06 [3.152]	20	2-641284-0
	71.73 [2.824]	72.14 [2.840]	18	1-641284-8
	59.84 [2.356]	60.25 [2.372]	15	1-641284-5
	47.96 [1.888]	48.36 [1.904]	12	1-641284-2
	36.07 [1.420]	36.47 [1.436]	9	641284-9
	24.18 [.952]	24.59 [.968]	6	641284-6
12.29 [.484]	12.70 [.500]	3	641284-3	
CONTACT FINISH	B	A	NO. OF CIRCUITS	PART NUMBER

METRIC

THIS DRAWING IS A CONTROLLED DOCUMENT. DIM: K. SALMON 29OCT91. CHK: R. SWING 29OCT91. APVD: -

TOLERANCES UNLESS OTHERWISE SPECIFIED:  
 0 PLC ± -  
 1 PLC ± -  
 2 PLC ± 0.13 [.005]  
 3 PLC ± -  
 4 PLC ± -  
 ANGLES ± -

PRODUCT SPEC: MTA-156  
 APPLICATION SPEC: CARD EDGE CONNECTOR ASSEMBLY, 20 AWG

SIZE: A1. CAGE CODE: 00779. DRAWING NO: 641284. WEIGHT: -

RESTRICTED TO: -

CUSTOMER DRAWING. SCALE: 5:1. SHEET: 1 OF 1. REV: R